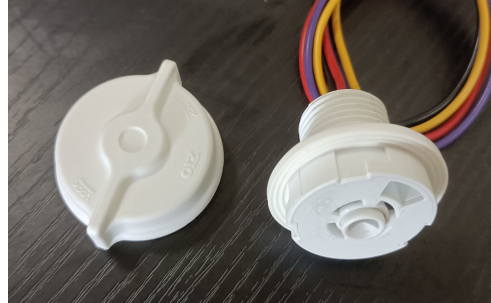


Z10 | Low Voltage Receptacle and Cap

Features

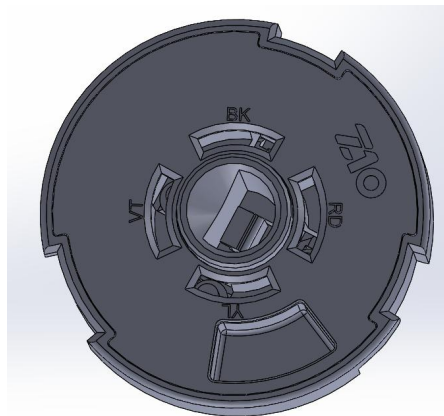
- Low Voltage Connector
- Meet UL category WJFX2 and WJFX8
- 1/2NPS mounting thread
- Recomend Install torque 1.5N.m



P10518 REC-Z10-WH
P10519 REC-Z10-BK



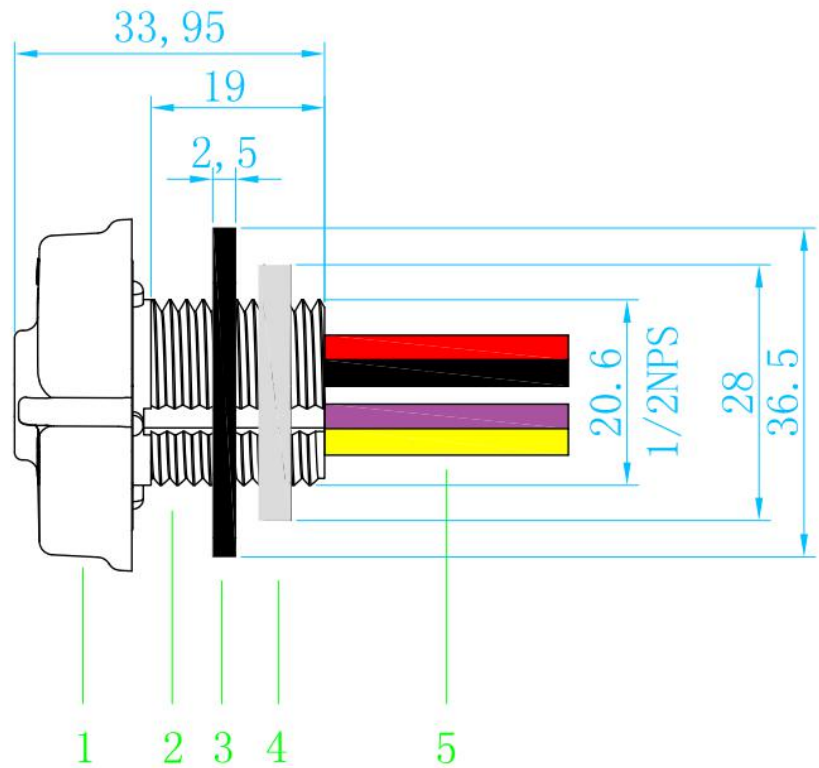
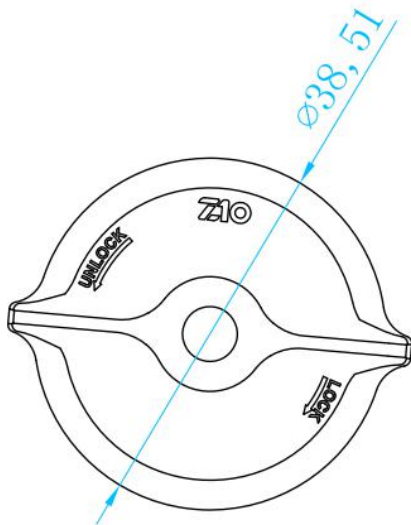
Electrical interface



4 pole contacts:

- Port 1 (RED Wire): Positive (+) pole of the 24 VDC power supply
- Port 2 (BLACK Wire)
 - Negative (-) pole for the 0-10V
 - Negative (-) pole for the 24VDC power supply
- Port 3 (VIOLET Wire): Positive(+) pole for the 0-10V protocol
- Port 4 (YELLOW Wire): General Digital I/O

MECHANICAL (mm)



- 1) Protection cap
- 2) Receptacle body
- 3) Gasket
- 4) Lock-nut
- 5) Lead wire (18AWG 300mm)